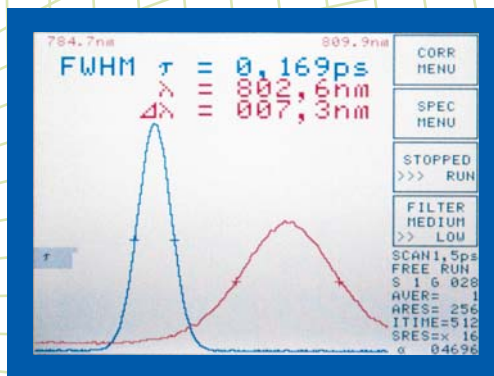
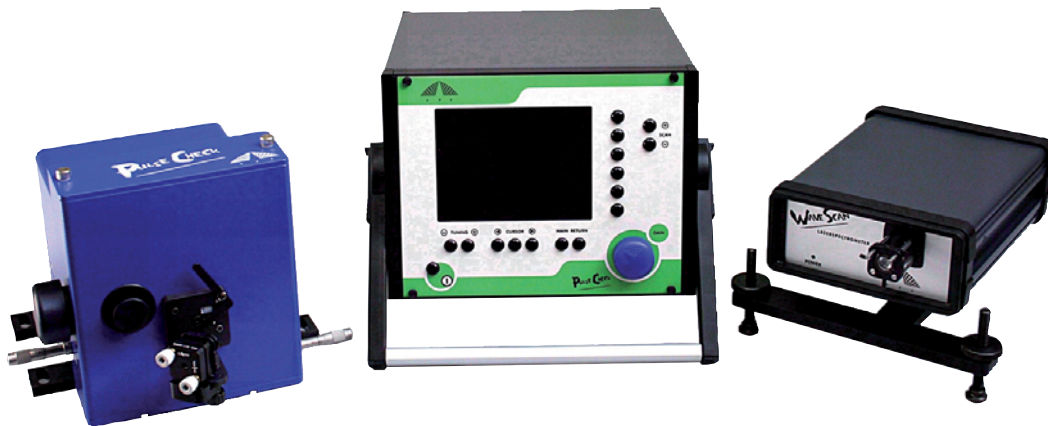


A P E

Spectrometer- Option for **PULSE CHECK**

“Plug and play”, ease of alignment



Compact and rugged construction

Bandwidth and central wavelength readout

Colour graphical display

Computer interface

Ultrafast Pulse Diagnostics

Wavelength Conversion

Pulse Management

Acoustooptics

Your Partner in Ultrafast

SPECTROMETER VERSIONS

CCD - line version

Wavelength range	300 ... 1100 nm	or	700 ... 1050 nm
Resolution	1.0 nm		0.3 nm
	other wavelength ranges optional within 200 ... 1100 nm		
Laser repetition rate	any		
Sensitivity	50 nW/nm bandwidth		

DIMENSIONS

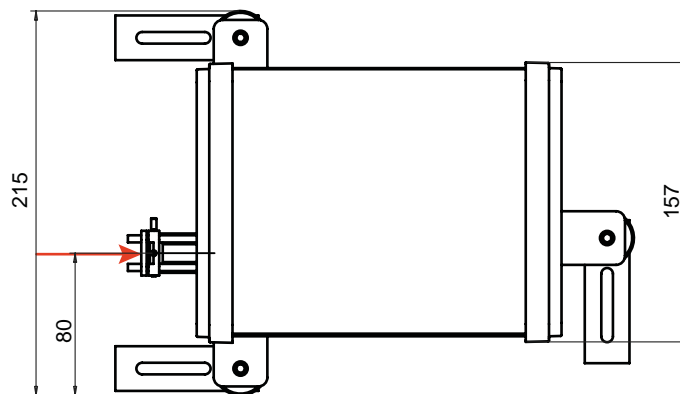
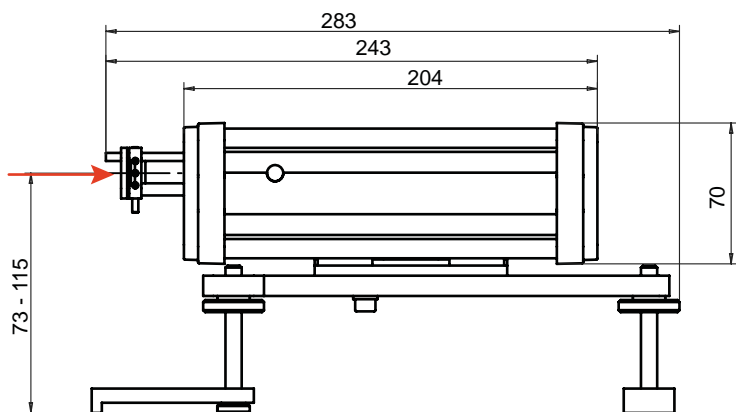
112 mm x 45 mm x 180 mm



Spinning grating version

Wavelength range	400 ... 1100 nm (VIS / NIR) 700 ... 1600 nm (NIR / IR) 500 ... 1600 nm (VIS / NIR / IR) other ranges optional within 250 ... 2600 nm
Resolution	0.2 nm
Laser repetition rate	> 10 MHz
Sensitivity	50 μ W/nm bandwidth

DIMENSIONS (in mm)



Distributors

see APE website www.ape-berlin.com

APE GmbH Plauener Straße 163-165 Haus N / 13053 Berlin Germany
Phone +49.30.986.01130 Fax +49.30.986.97885 / Web www.ape-berlin.com Email ape@ape-berlin.de

APE follows a policy of continued product improvement. Therefore, specifications are subject to change without notice.