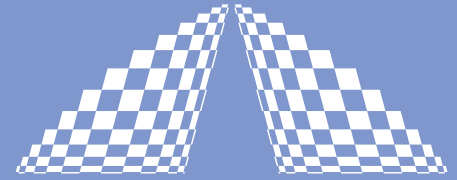


Mini



A P E

AUTOCORRELATOR

The **Mini** is a compact standard autocorrelator for pulse duration measurements of fs- and ps-lasers both for high and low repetition rates. It is available for different wavelength ranges.



"Plug and play", easy alignment

All-reflective optics

Femtosecond resolution

Background-free and interferometric ACF⁽¹⁾

Very compact and rugged design

Pulse duration readout

¹⁾ Autocorrelation Function

Ultrafast Pulse Diagnostics

Wavelength Conversion

Pulse Management

Acoustooptics

Your Partner in Ultrafast

Mini

SPECIFICATIONS

Scan ranges	150 fs ... 15 ps
Maximum measurable pulse width	3.5 ps
Minimum measurable pulse width	50 fs (< 20 fs optional)
Scan rate (appr.)	≥ 10 Hz
Linearity of position signal	Better 1% of actual scan range
Sensitivity ($P_{AV} * P_{PEAK}$)	$10^{-4} W^2$ (PMT detector) $1 W^2$ (PD detector)
Wavelength ranges	VIS I 420 ... 550 nm VIS II 540 ... 750 nm NIR 700 ... 1100 nm IR 1000 ... 1600 nm
Input polarization	Horizontal (polarization rotator optional)
Minimum laser repetition rate	Any
Interaction	Collinear / Non-collinear
Power supply	External, 95 ... 240 V, 50 ... 60 Hz, 8 W
Readout	Monochrome graphical LCD 240 * 128 pixels ACF, FWHM
Outputs	Delay: analog 0 ... 10 V (for external oscilloscope) Signal: analog 0 ... 10 V (for external oscilloscope) USB and RS232 serial interface
Input	Trigger: TTL, f < 5 kHz

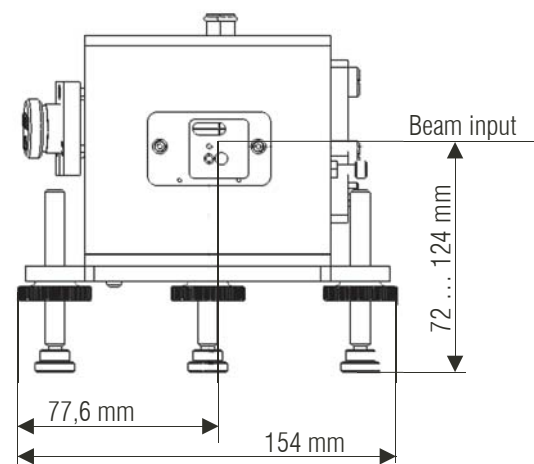
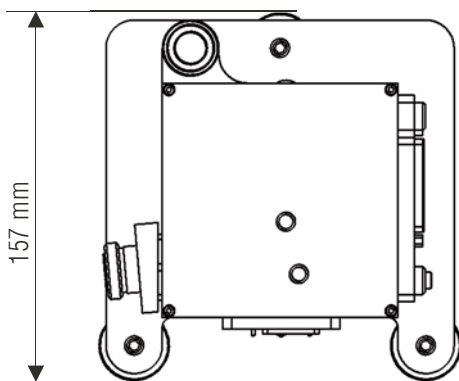
OPTIONS

Fibre input
Short pulse optics
Windows control software
LabView driver
Input polarisation rotator

DIMENSIONS (in mm)

Control Electronics (W*L*H):

210*144*125



Distributors

see APE website www.ape-berlin.com

APE GmbH Plauener Straße 163-165 Haus N / 13053 Berlin Germany
Phone +49.30.986.01130 Fax +49.30.986.97885 / Web www.ape-berlin.com Email ape@ape-berlin.de

APE follows a policy of continued product improvement. Therefore, specifications are subject to change without notice..